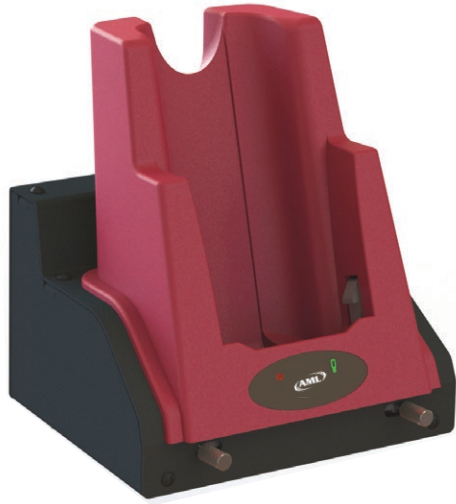


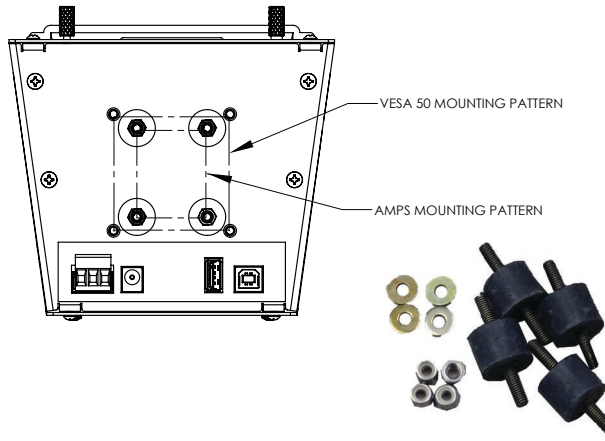
# Solo Mobile Charging Cradle Quick-Start Guide

## Mounting

## Power

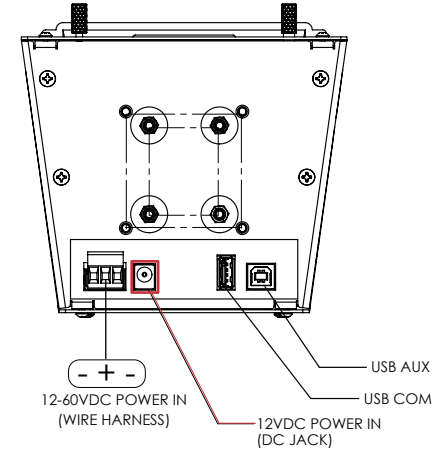


The Mobile Charging Cradle can be mounted using either VESA 50 or AMPS mounting patterns.



4 rubber mounts and mounting hardware included (M4).

For power connection to DC Jack, plug 12VDC power supply.



Recommended wiring: AML Part# CBL-0002

800.648.4452  
www.amltd.com  
MADE IN USA  
9001-M7800 revA



## Charging

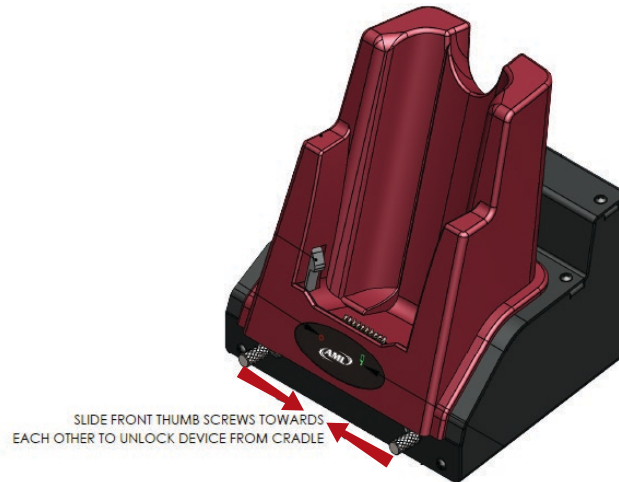
## Lock Release

To charge Solo, place device in cradle until it locks in place.



Charge Status:  
■ Red = Charging    ■ Green = Charged

To release Solo, slide front thumb screws towards each other to unlock the device from cradle.



© 2019 American Microsystems, Ltd. All rights reserved.

American Microsystems, Ltd. reserves the right to make changes in specifications and other information contained in this document without prior notice, and the reader should in all cases consult American Microsystems, Ltd. to determine whether any such changes have been made. The information in this publication does not represent a commitment on the part of American Microsystems, Ltd. American Microsystems, Ltd. shall not be liable for technical or editorial errors or omissions contained herein; nor for incidental or consequential damages resulting from the furnishing, performance, or use of this material. This document contains proprietary information which is protected by copyright. All rights are reserved. No part of this document may be photocopied, reproduced, or translated into another language without the prior written consent of American Microsystems, Ltd.



TESTED TO COMPLY WITH FCC STANDARDS



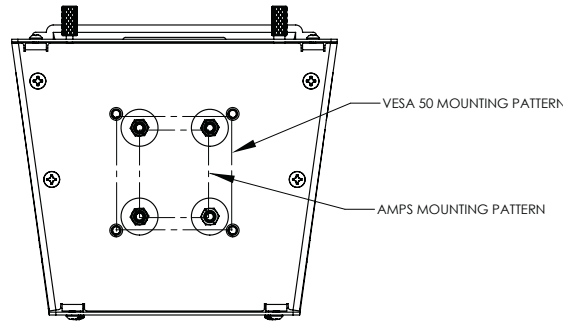
2190 Regal Parkway  
Euless, TX 76040  
800.648.4452  
www.amltd.com  
www.barcodepower.com

Mounting

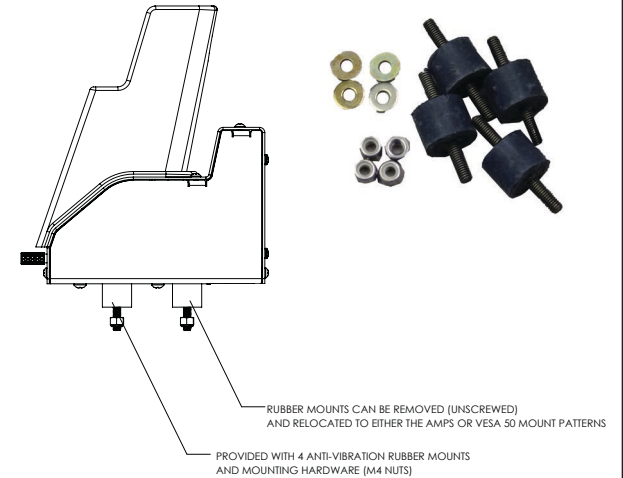
Mounting, cont.



The Mobile Non-Charging Cradle can be mounted using either VESA 50 or AMPS mounting patterns.



Device can be mounted using anti-vibration rubber mounting and mounting hardware.



800.648.4452  
www.amltd.com  
MADE IN USA  
9001-M7800 revA



Secure Solo

Lock Release

To mount Solo, place device in cradle until it locks in place.



To release Solo, slide front screws towards each other to unlock the device from cradle.



© 2019 American Microsystems, Ltd. All rights reserved.

American Microsystems, Ltd. reserves the right to make changes in specifications and other information contained in this document without prior notice, and the reader should in all cases consult American Microsystems, Ltd. to determine whether any such changes have been made. The information in this publication does not represent a commitment on the part of American Microsystems, Ltd. American Microsystems, Ltd. shall not be liable for technical or editorial errors or omissions contained herein; nor for incidental or consequential damages resulting from the furnishing, performance, or use of this material. This document contains proprietary information which is protected by copyright. All rights are reserved. No part of this document may be photocopied, reproduced, or translated into another language without the prior written consent of American Microsystems, Ltd.



2190 Regal Parkway  
Euless, TX 76040  
800.648.4452  
www.amltd.com  
www.barcodepower.com