

INTRODUCTION

This guide applies to AML ring scanners models **WSC -1600** and **WSC-2700**

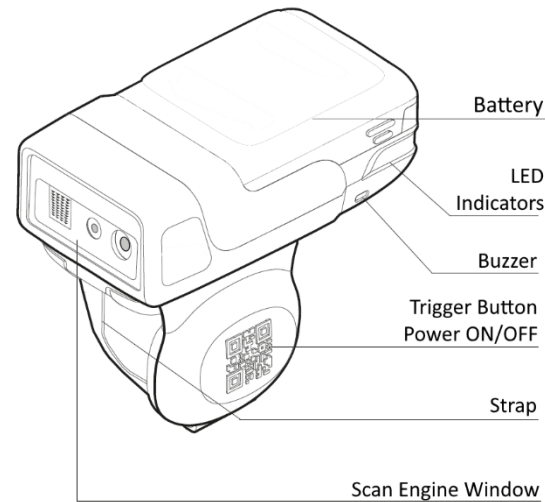
Refer to our website at www.amltd.com for additional information.



Technical support is available weekdays Monday thru Friday, from 8:00 am until 5:00 pm, US CST, by calling **877-842-3990** or at support@amltd.com

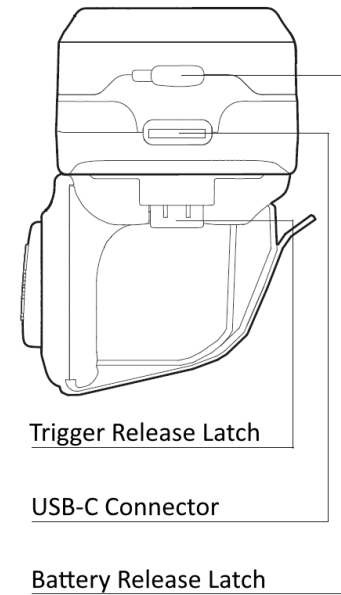
1

SIDE VIEW



2

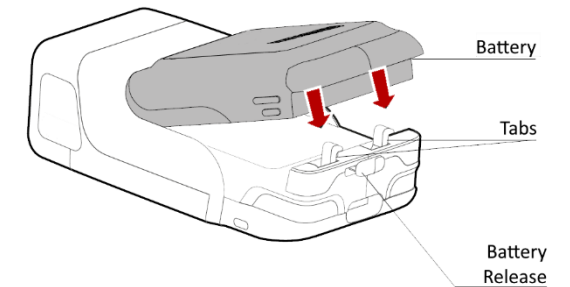
REAR VIEW



3

BATTERY INSTALLATION

Place the battery into the battery compartment of the scanner with the contacts mating. Press down until the battery latches.



To remove the battery, slide release latch on the back of the battery to the left, then lift the battery from the compartment.

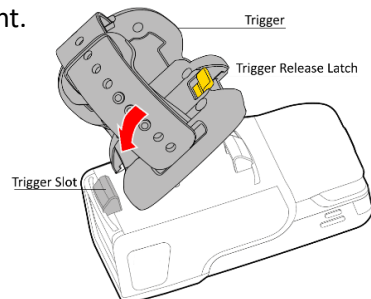
4

RING SCANNER SETUP INSTRUCTIONS

Figure 1 – Install the Trigger

Determine if the scanner is to be worn on the left or right hand and rotate the trigger assembly so that the trigger is positioned next to the thumb when the scanner is on the index finger.

Insert the end of the trigger **WITHOUT** the yellow latch first. For right-hand operation, yellow latch is towards rear of unit, for left hand operation, it is at the front.

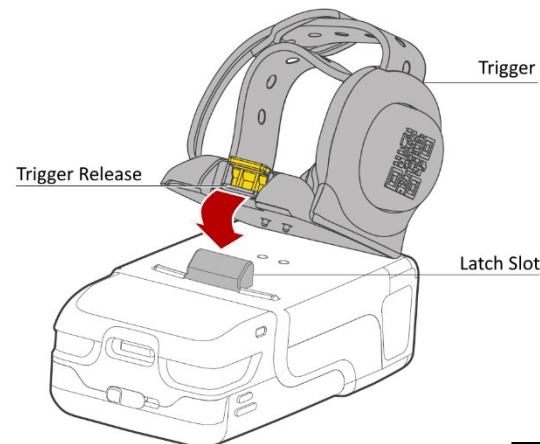


5

RING SCANNER SETUP (Cont'd)

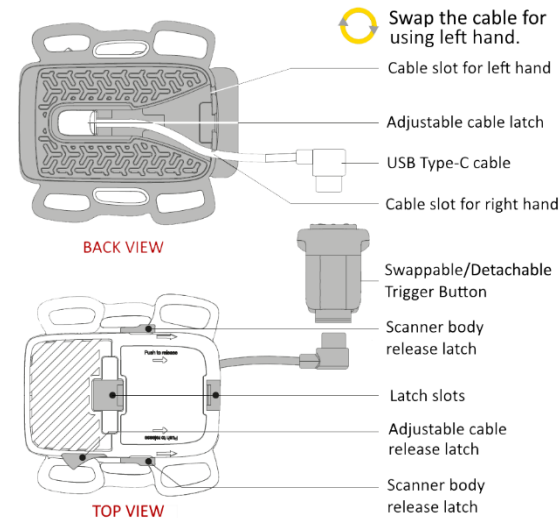
Figure 2 – Assemble the Trigger

Push the trigger down until the yellow latch snaps into place.



6

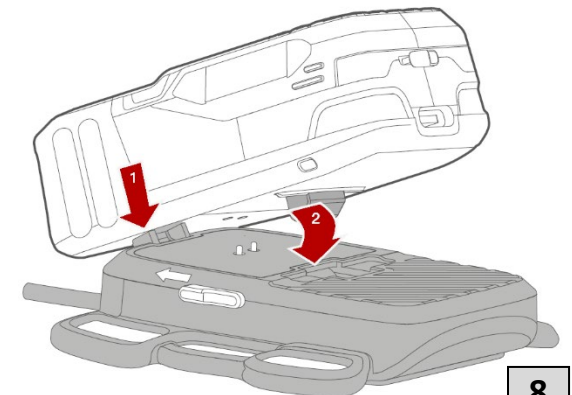
TOP-OF-HAND SETUP



7

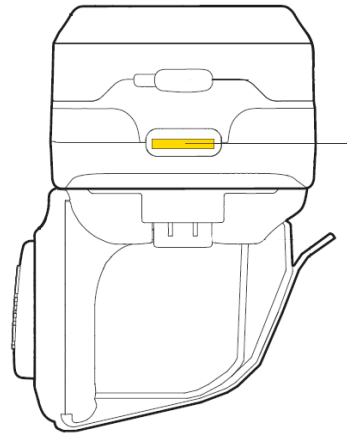
TOP-OF-HAND SETUP (Cont'd)

- Insert the tabs of the bottom of the scanner body into the gaps of the glove attachment.
- Press the scanner body down until it latches.



8

BATTERY CHARGING

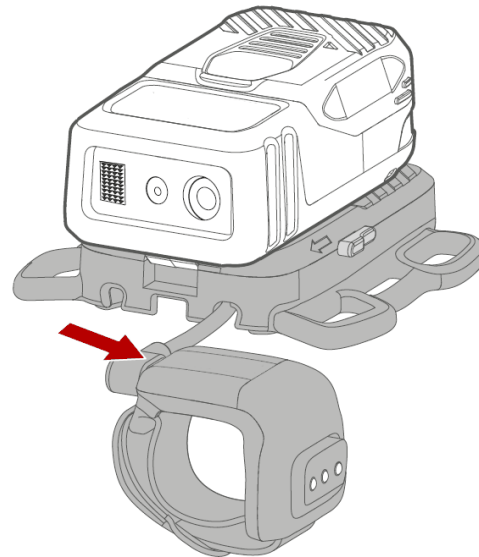


Plug the cable from the power supply into the USB-C connector on the rear of the device.

9

TOP-OF-HAND TRIGGER SETUP

Connect the trigger button to the glove attachment with the USB-C cable.



10

SCANNER OPERATION

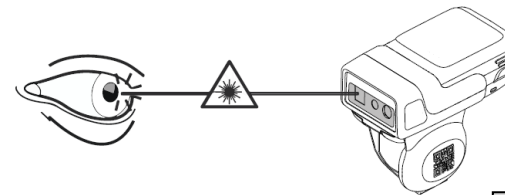
ON/OFF

Turn the scanner ON by pressing and holding the trigger button for 2 seconds.

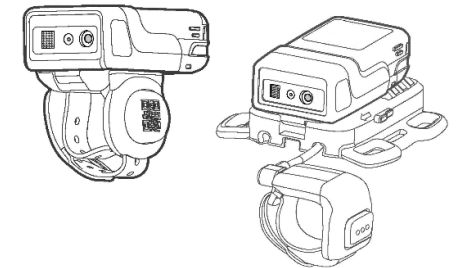
Turn the scanner OFF by pressing and holding the trigger button for 5 seconds.

LASER SAFETY

Do not stare into the laser beam. Avoid pointing the beam at others.



11



Quick Start Guide

WSC-1600 Wearable Scanner
WSC-2700 Wearable Scanner

800-648-4452 www.amltd.com

LED STATUS

Status	Description
Green LED flashes one time	Decode successful
Green LED flashes continuously	Low battery alarm
Red LED turns on	Battery charging
Red LED turns off	Battery charged 100%
Blue LED flashes continuously	Start Bluetooth pairing
Blue LED turns off	Bluetooth pairing successful

12

BATTERY SAFETY

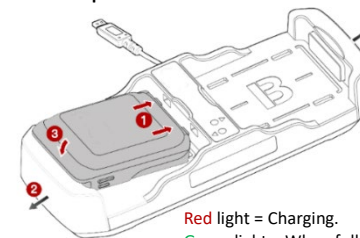
- Do not immerse or expose to water or other liquids.
- Do not disassemble, open, crush, puncture, or shred.
- Do not short circuit the battery or allow metal or other conductive materials to contact the battery terminals.
- Do not use the battery if it is bulging, deformed, or damaged.
- Charging temperature must be between 32° F and 104° F. (0° C and +40° C)
- AML is not liable for damage or malfunction caused by using non-AML batteries.

13

OPTIONAL TWO-POSITION CHARGER

Use the USB-C cable and +5VDC power supply that was included.

- 1 Align the end of the battery with the recesses on the inboard portion of charger.
- 2 Pull out the spring-loaded end of the charger compartment.
- 3 Snap the battery into the charging compartment.



Red light = Charging.
Green light = When fully charged.
No light = no batteries or no power.

14

FACTORY RESET SCANNER

Resets the scanner to HID mode with a carriage return <ENTER> as the suffix appended to the barcode scan.



DEFAULT BARCODE SETTINGS

Resets back to default barcode scanning settings like Symbology types, prefixes, suffixes, etc.

